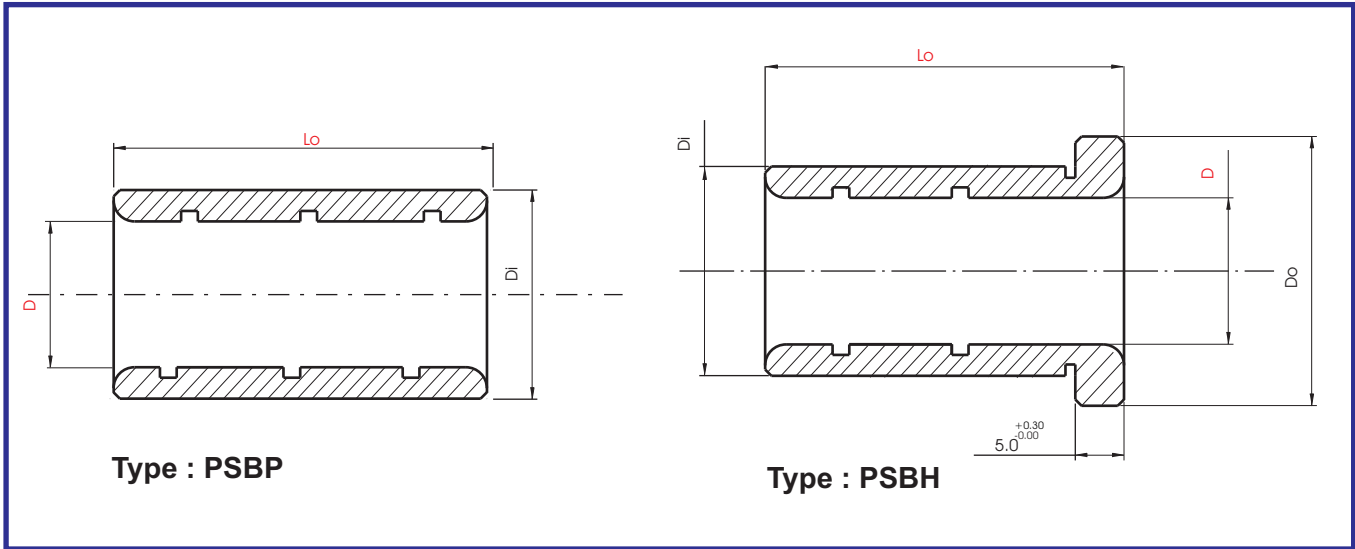


► Stripper Guide Bush (PSBP / PSBH)



Material:- En353
Hardness:- 53-56 HRC



| Size | Code | D | Di | L | | | | |
|-----------|------|----|------------|-----------|----|----|----|----|
| Tolerance | | G6 | +0.02(max) | -1.0(max) | | | | |
| | PSBP | 8 | 14 | 10 | 16 | 20 | | |
| | | 10 | 16 | 10 | 16 | 20 | 25 | |
| | | 16 | 22 | | 16 | 20 | 25 | 30 |
| | | 20 | 25 | | | 20 | 25 | 30 |
| | | 25 | 32 | | | | 25 | 30 |

| Size | Code | D | Do | Di | L | | | | |
|-----------|------|----|-----------|------------|-----------|----|----|----|----|
| Tolerance | | G6 | -0.2(max) | +0.02(Max) | -1.0(max) | | | | |
| | PSBH | 8 | 17 | 14 | 10 | 16 | 20 | | |
| | | 10 | 19 | 16 | 10 | 16 | 20 | 25 | |
| | | 16 | 25 | 22 | | 16 | 20 | 25 | 30 |
| | | 20 | 28 | 25 | | | 20 | 25 | 30 |
| | | 25 | 35 | 32 | | | | 25 | 30 |

Order Type : Code X Dia D X Length L

Example : PSBP X 16 X 25